

**SIEMENS**



# 3SB5

Indicating lamps and push buttons

3SB5 Datasheet

Answers for industry.

Blank Page

# Commanding and Signalling Devices



2	<b>Introduction</b>
	<b>3SB5 Pushbutton Units and Indicating Lamps, 22 mm</b>
4	General data
	<u>Actuators and Indicating Lamps, Plastic, 22 mm</u>
6	Actuators
9	Contact block
10	Indicating lamps
11	Illumination module
	<u>Accessories and Spare Parts</u>
12	Pusher caps
12	Lamps
12	Protective covers
13	Miscellaneous accessories
	<u>Enclosures</u>
15	General data
16	Enclosures with standard fittings
18	Empty enclosures
19	Contact blocks and lampholders
19	Accessories for enclosures

# 3SB5 Commanding and Signalling Devices

## Introduction

### Overview



3SB5

### Pushbutton units and indicator lights

#### Designs

Nominal diameter	22 mm
Version	Plastic, round

#### Actuators

Pushbutton actuators - opaque	✓
Pushbutton actuators - illuminated	✓
Selector actuators - opaque	✓
Selector actuators - illuminated	✓
Key actuators	✓
E-stop mushroom actuators	✓
Twin push buttons - opaque	✓
Twin push buttons - illuminated	✓

#### Indicators

Compact indicators - LED	✓
Compact indicators - Filament	✓
Wide voltage band indicators - LED	✓
Modular indicators	✓

#### Contact blocks

Compact	✓
Regular	✓

#### Illumination Modules

Integrated LED	✓
BA9S LED	✓
BA9S Filament	✓

#### Connections

Screw terminals	✓
-----------------	---



3SB5

**Enclosures**

**Enclosures**

- Plastic ✓
- Metal ✓

**Actuators**

- Pushbuttons and switches ✓
- Illuminated pushb. and switches ✓
- Mushroom pushbuttons ✓
- Push-pull buttons ✓
- EMERGENCY-STOP mushroom pushbuttons ✓
- Selector switches ✓
- Locks ✓

**Indicators**

- Indicator lights ✓

**Contact blocks**

- Single-pole ✓
- Two-pole —

**Terminals**

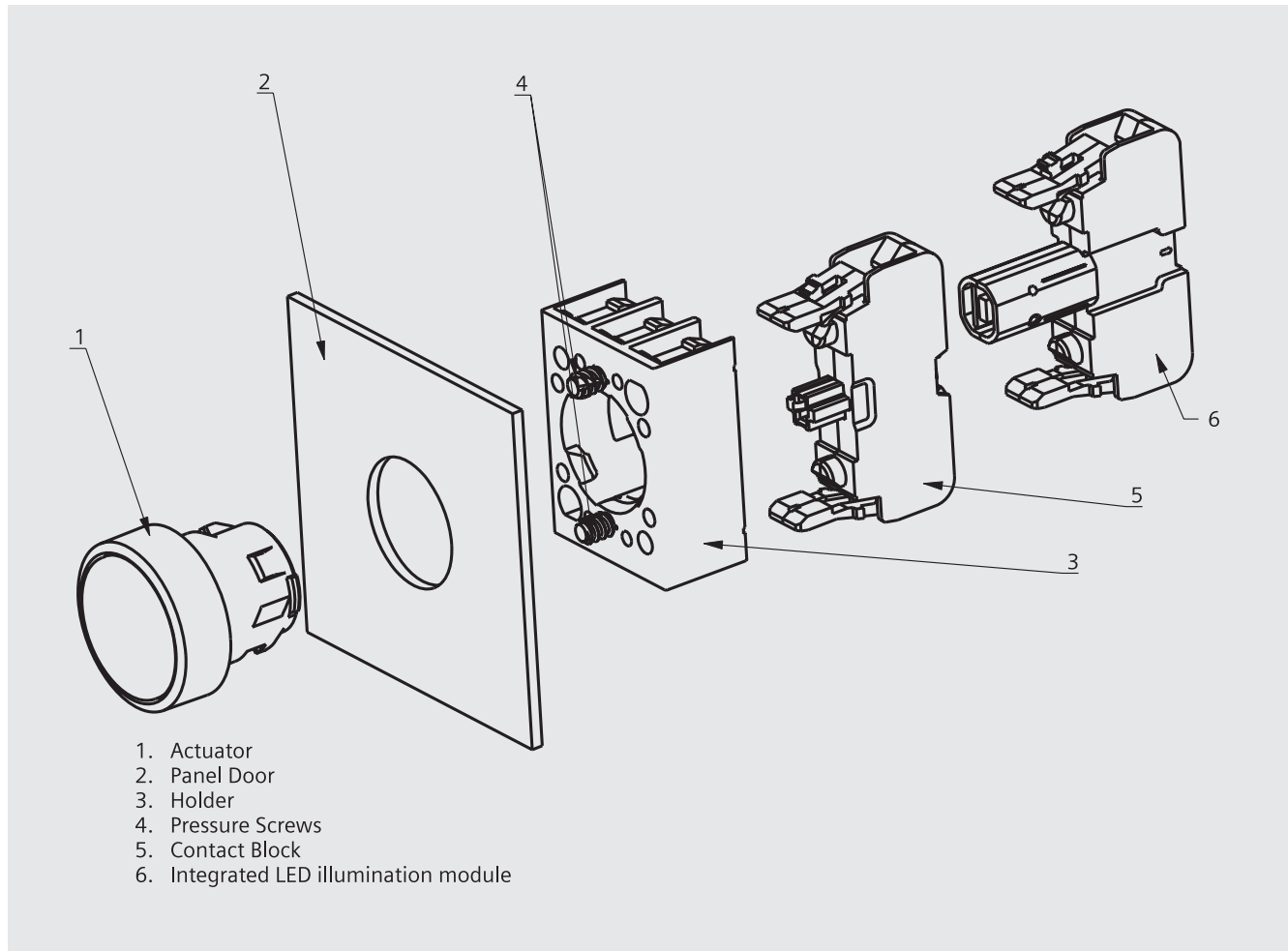
- Screw terminals ✓

# 3SB5 Pushbutton Units and Indicating Lamps, 22 mm

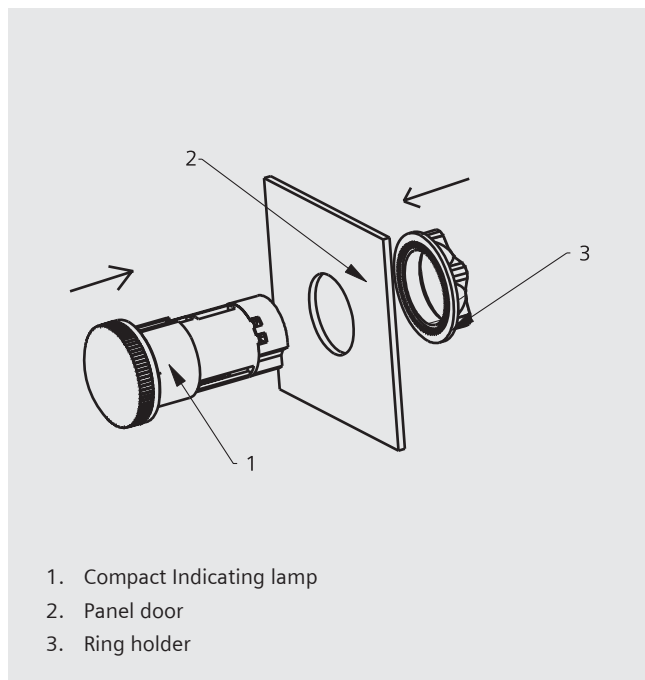
## General data

### Overview

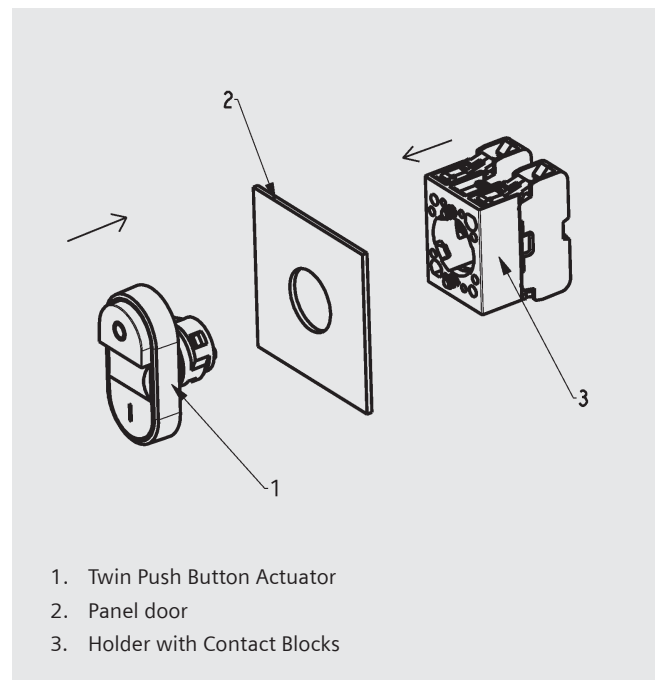
#### Panel door



#### 3SB5 compact pilot light



#### 3SB5 twin push button



### Actuator

#### Design

The 3SB5 series is a modular range of commanding and signalling devices for front panel mounting and rear conductor connection.



The devices are of modern industrial design and can be mounted rapidly by a single person. The operating surfaces of the pushbuttons and illuminated pushbuttons are concave. The lenses of the indicator lights are convex.

One command position comprises:

- An actuator or lens assembly in front of the control panel
- A holder for mounting behind the control panel
- A comprehensive range of accessories for inscription

Two contact blocks can be snapped onto the actuator in the standard version.

- Holder for 3 contact blocks or for 2 contact blocks and 1 lampholder
- Thrust pad for actuating a central contact block when using selector actuator and key actuator
- Thrust cap for actuating a central contact block when using push button actuator

For all executions the holder is included as standard.

#### Standards

IEC 60947-5-1, IS 13947-5-1

#### Connection methods

The devices are available with screw terminals.

# 3SB5 Pushbutton Units and Indicating Lamps, 22 mm

## Actuators, Plastic, 22 mm

### Actuators

#### Selection and ordering data







Version	Colour	Order No.	Weight per PU approx. kg						
<b>Pushbuttons with holder</b>									
	Opaque normal	Red Green Blue White Yellow Black	3SB50 00-0AC01 3SB50 00-0AE01 3SB50 00-0AF01 3SB50 00-0AG01 3SB50 00-0AD01 3SB50 00-0AB01	0.0215 0.0215 0.0215 0.0215 0.0215 0.0215					
		Opaque raised	Red Green Blue White Yellow Black	3SB50 00-0LC01 3SB50 00-0LE01 3SB50 00-0LF01 3SB50 00-0LG01 3SB50 00-0LD01 3SB50 00-0LB01	0.0215 0.0215 0.0215 0.0215 0.0215 0.0215				
			Illuminated normal	Red Green Amber Blue White Yellow Clear	3SB50 01-0AC01-0PQ0 3SB50 01-0AE01-0PQ0 3SB50 01-0AL01-0PQ0 3SB50 01-0AF01-0PQ0 3SB50 01-0AG01-0PQ0 3SB50 01-0AD01-0PQ0 3SB50 01-0AH01-0PQ0	0.023 0.023 0.023 0.023 0.023 0.023 0.023			
					Illuminated raised	Red Green Amber Blue White Yellow Clear	3SB52 18-0LC01-0PQ0 3SB52 18-0LE01-0PQ0 3SB52 18-0LL01-0PQ0 3SB52 18-0LF01-0PQ0 3SB52 18-0LG01-0PQ0 3SB52 18-0LD01-0PQ0 3SB52 18-0LH01-0PQ0	0.023 0.023 0.023 0.023 0.023 0.023 0.023	
						<b>Twin pushbutton with holder</b>			
							Opaque twin pushbutton with 1NO & 1NC		3SB52 01-7EC01
							Opaque twin pushbutton modular		3SB50 00-7EC01
						Illuminated twin <sup>1)</sup> pushbutton with 1NO & 1NC		3SB52 34-7EC01	0.04662
						Illuminated twin pushbutton modular		3SB50 00-7EC01	0.04662

1) Use illumination module with integrated LED only



# 3SB5 Pushbutton Units and Indicating Lamps, 22 mm Actuators, Plastic, 22 mm

## Actuators

Version	Colour	Order No.	Weight per PU approx. kg	
<b>Mushroom pushbuttons with holder</b>				
	Mushroom pushbuttons, Ø 40 mm momentary	Black Red	3SB50 00-1NB01 3SB50 00-1NC01	0.029 0.029
		Mushroom pushbuttons, Ø 40 mm push to trip, turn to release	Black	3SB50 00-1CB01
<b>Mushroom pushbuttons for emergency stop</b>				
	Mushroom pushbuttons with 1NC push to trip, turn to release	Red	3SB52 03-0UC01	0.050
	Mushroom pushbuttons, Ø 40 mm push to trip, turn to release	Red	3SB50 00-0UC01	0.050
	Mushroom pushbuttons, Ø 40 mm push to trip, pull to release	Red	3SB50 00-0VC01	0.050
	Mushroom pushbuttons, Ø 40 mm push to trip, key to release	Red	3SB50 00-0TC01	0.050

# 3SB5 Pushbutton Units and Indicating Lamps, 22 mm

## Actuators, Plastic, 22 mm

### Actuators

Version	Version	Colour	Order No.	Weight per PU approx. kg
---------	---------	--------	-----------	--------------------------

#### Selector switches with holder

##### 2 position

##### Selector switches with 2 switch positions



Switching sequence O-I,  
100° operating angle

**Opaque Maintained**

Black  
Red

3SB50 00-2AB01  
3SB50 00-0AC01

0.024  
0.024

Switching sequence O-I,  
50° operating angle

**Opaque Momentary**

Black  
Red

3SB50 00-2BB01  
3SB50 00-2BC01

0.024  
0.024



Switching sequence O-I,  
100° operating angle

**Illuminated Maintained**

Red  
Green  
Blue  
Yellow  
Clear

3SB50 01-2AC01  
3SB50 01-2AE01  
3SB50 01-2AF01  
3SB50 01-2AD01  
3SB50 01-2AH01

0.024  
0.024  
0.024  
0.024  
0.024

Switching sequence O-I,  
50° operating angle

**Illuminated Momentary**

Red  
Green  
Blue  
Yellow  
Clear

3SB50 01-2BC01  
3SB50 01-2BE01  
3SB50 01-2BF01  
3SB50 01-2BD01  
3SB50 01-2BH01

0.024  
0.024  
0.024  
0.024  
0.024

##### 3 position

##### Selector switches with 3 switch positions



Switching sequence I-O-II,  
2 x 50° operating angle

**Opaque Maintained**

Black  
Red

3SB50 00-2DB01  
3SB50 00-2DC01

0.024  
0.024

Switching sequence I-O-II,  
2 x 50° operating angle

**Opaque Momentary**

Black  
Red

3SB50 00-2EB01  
3SB50 00-2EC01

0.024  
0.024



2 x 50° operating angle

**Illuminated Maintained**

Red  
Green  
Blue  
Yellow  
Clear

3SB50 01-2DC01  
3SB50 01-2DE01  
3SB50 01-2DF01  
3SB50 01-2DD01  
3SB50 01-2DH01

0.024  
0.024  
0.024  
0.024  
0.024

Switching sequence I-O-II,  
2 x 50° operating angle,

**Illuminated Momentary**

Red  
Green  
Blue  
Yellow  
Clear

3SB50 01-2EC01  
3SB50 01-2EE01  
3SB50 01-2EF01  
3SB50 01-2ED01  
3SB50 01-2EH01

0.024  
0.024  
0.024  
0.024  
0.024

Version	Key removal position	Order No.	Weight per PU approx. kg
---------	----------------------	-----------	--------------------------

#### Key-operated switches with holder

##### Key-operated switches with 2 keys & 2 switch positions

Switching sequence O-I,  
100° operating angle, maintained

L - KR



3SB50 00-4AC01

0.057

KL - R



3SB50 00-4AA01

0.057

KL - KR



3SB50 00-4AB01

0.057

Switching sequence O-I,  
50° operating angle, momentary

KL < R



3SB50 00-4TA01

0.057

L > KR



3SB50 00-4TC01

0.057



##### Key-operated switches with 2 keys & 3 switch positions

Switching sequence I-O-II,  
2 x 50° operating angle, maintained

L - KC - R



3SB50 00-4HA01

0.057

KL - C - KR



3SB50 00-4HC01

0.057

KL - KC - KR



3SB50 00-4HB01

0.057

Switching sequence O-I,  
2 x 50° operating angle, momentary

L > KC < R



3SB50 00-4JA01

0.057

\* Key removable position

L - Left, R - Right, C - Centre, KL - Key at Left, KR - Key at Right, KC - Key at Centre

# 3SB5 Pushbutton Units and Indicating Lamps, 22 mm

## Components for Actuators

### Contact blocks

#### Selection and ordering data

Version	Symbols	Operating travel	Order No.	Weight per PU approx.
		 Contact closed Contact open		kg

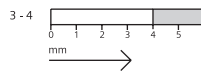
#### Contact blocks for front plate mounting



##### Contact blocks with one contact

- Mounting depth: 50 mm

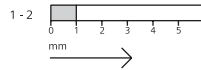
1 NO



3SB54 00-0B

0.011

1 NC



3SB54 00-0C

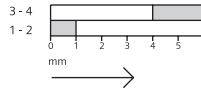
0.011



##### Contact blocks with 2 contacts

Mounting depth 63 mm (including unit labeling plate)

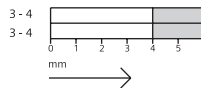
1 NO + 1 NC



3SB54 00-0A

0.018

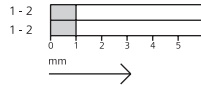
2 NO



3SB54 00-0E

0.018

2 NC



3SB54 00-0F

0.018

# 3SB5 Pushbutton Units and Indicating Lamps, 22 mm Indicating Lamps

## Indicating lamps

### Selection and ordering data

Version	Rated Voltage V	Colour	Order No.	Weight per PU approx. kg	
<b>Compact LED indicating lamp</b>					
	Compact LED indicating lamp	24 V AC/DC	Red	3SB52 85-6HC01	0.017
			Green	3SB52 85-6HE01	0.017
			Amber	3SB52 85-6HL01	0.017
			Blue	3SB52 85-6HF01	0.017
			White	3SB52 85-6HG01	0.017
			Yellow	3SB52 85-6HD01	0.017
			Clear	3SB52 85-6HH01	0.017
		30 V DC®	Red	3SB52 85-6HC13	0.017
			Green	3SB52 85-6HE13	0.017
			Amber	3SB52 85-6HL13	0.017
			Blue	3SB52 85-6HF13	0.017
			White	3SB52 85-6HG13	0.017
			Yellow	3SB52 85-6HD13	0.017
			Clear	3SB52 85-6HH13	0.017
		110 V AC 50/60 Hz	Red	3SB52 85-6HC02	0.017
			Green	3SB52 85-6HE02	0.017
			Amber	3SB52 85-6HL02	0.017
			Blue	3SB52 85-6HF02	0.017
			White	3SB52 85-6HG02	0.017
			Yellow	3SB52 85-6HD02	0.017
			Clear	3SB52 85-6HH02	0.017
		110 V DC®	Red	3SB52 85-6HC04	0.017
			Green	3SB52 85-6HE04	0.017
			Amber	3SB52 85-6HL04	0.017
			Blue	3SB52 85-6HF04	0.017
			White	3SB52 85-6HG04	0.017
			Yellow	3SB52 85-6HD04	0.017
			Clear	3SB52 85-6HH04	0.017
		220/240 V AC 50/60 Hz	Red	3SB52 85-6HC03	0.017
			Green	3SB52 85-6HE03	0.017
			Amber	3SB52 85-6HL03	0.017
			Blue	3SB52 85-6HF03	0.017
			White	3SB52 85-6HG03	0.017
			Yellow	3SB52 85-6HD03	0.017
			Clear	3SB52 85-6HH03	0.017
		220 V DC®	Red	3SB52 85-6HC05	0.017
			Green	3SB52 85-6HE05	0.017
			Amber	3SB52 85-6HL05	0.017
			Blue	3SB52 85-6HF05	0.017
			White	3SB52 85-6HG05	0.017
			Yellow	3SB52 85-6HD05	0.017
			Clear	3SB52 85-6HH05	0.017
<b>Compact BA9s filament indicating lamp<sup>1</sup></b>					
	Compact BA9s filament indicating lamp	24 V AC/DC 110 V AC/DC# 230 V AC		3SB52 86-6HC.01	0.175
				3SB52 86-6HE.11	0.175
				3SB52 86-6HL.12	0.175
<b>Compact indicating lamp without lamp<sup>5</sup></b>					
	To be used with BA9s filament lamp of appropriate voltage		Red	3SB52 86-6HC00	0.175
			Green	3SB52 86-6HE00	0.175
			Amber	3SB52 86-6HL00	0.175
			Blue	3SB52 86-6HF00	0.175
			Clear	3SB52 86-6HH00	0.175
<b>Wide band compact LED indicating lamps (available from 1-12-2012) <span style="background-color: white; border: 1px solid black; padding: 2px;">New</span></b>					
		42 to 240 V AC & 42 to 220 V DC	Red	3SB52 35-6HC14	0.175
			Green	3SB52 35-6HE14	0.175
			Amber	3SB52 35-6HL14	0.175
			Blue	3SB52 35-6HF14	0.175
			White	3SB52 35-6HG14	0.175
			Yellow	3SB52 35-6HD14	0.175
			Clear	3SB52 35-6HH14	0.175

@ Use of bridge rectified DC source (filtered O/P) recommended

\$ To be used with BA9s filament lamp at appropriate / required voltage. Bulb will be at an additional charge

1 Replace "." by following colour codes C = Red, E = Green, L = Amber, F = Blue, H = Clear

# 3SB5 Pushbutton Units and Indicating Lamps, 22 mm

## Indicating Lamps

### Indicating lamps

Version	Rated Voltage V	Colour	Order No.	Weight per PU approx. kg	
<b>Indicators</b>					
	Wide band LEDs	42 V to 240 V AC	Red	3SB52 35-6HC10	0.060
		50/60 Hz & 42 V to 220 V DC	Green	3SB52 35-6HE10	0.060
			Amber	3SB52 35-6HL10	0.060
			Blue	3SB52 35-6HF10	0.060
			White	3SB52 35-6HG10	0.060
			Yellow	3SB52 35-6HD10	0.060
Clear	3SB52 35-6HH10	0.060			
<b>Modular indicating lamps</b>					
	Lens assembly with holder	Red	3SB52 01-6BC00	0.019	
		Green	3SB52 01-6BE00	0.019	
		Amber	3SB52 01-6BL00	0.019	
		Blue	3SB52 01-6BF00	0.019	
		White	3SB52 01-6BG00	0.019	
		Yellow	3SB52 01-6BD00	0.019	
		Clear	3SB52 01-6BH00	0.019	
		<b>Illumination module with integrated LED</b>			
	Lamp holder with integrated LED	24 V AC/DC	Red	3SB54 00-7CC	0.0125
			Green	3SB54 00-7CE	0.0125
			Amber	3SB54 00-7CL	0.0125
			Blue	3SB54 00-7CF	0.0125
			White	3SB54 00-7CG*	0.0125
			Yellow	3SB54 00-7CD	0.0125
		110 V AC	Red	3SB54 00-7EC	0.0125
			Green	3SB54 00-7EE	0.0125
			Amber	3SB54 00-7EL	0.0125
			Blue	3SB54 00-7EF	0.0125
			White	3SB54 00-7EG*	0.0125
			Yellow	3SB54 00-7ED	0.0125
	110 V DC®	Red	3SB54 00-7DC	0.0125	
		Green	3SB54 00-7DE	0.0125	
		Amber	3SB54 00-7DL	0.0125	
		Blue	3SB54 00-7DF	0.0125	
		White	3SB54 00-7DG*	0.0125	
		Yellow	3SB54 00-7DD	0.0125	
	230 V AC	Red	3SB54 00-7TC	0.0125	
		Green	3SB54 00-7TE	0.0125	
		Amber	3SB54 00-7TL	0.0125	
		Blue	3SB54 00-7TF	0.0125	
		White	3SB54 00-7TG*	0.0125	
		Yellow	3SB54 00-7TD	0.0125	
220 V DC®	Red	3SB54 00-7HC	0.0125		
	Green	3SB54 00-7HE	0.0125		
	Amber	3SB54 00-7HL	0.0125		
	Blue	3SB54 00-7HF	0.0125		
	White	3SB54 00-7HG*	0.0125		
	Yellow	3SB54 00-7HD	0.0125		
<b>Illumination module with BA9s LED</b>					
	Lamp holder with BA9s LED	24 V AC/DC	Red	3SB54 00-8CC	0.015
			Green	3SB54 00-8CE	0.015
			Blue	3SB54 00-8CF	0.015
			Yellow	3SB54 00-8CD	0.015
	110 V AC/DC#	Red	3SB54 00-8FC	0.25	
		Green	3SB54 00-8FE	0.25	
		Blue	3SB54 00-8FF	0.25	
		Yellow	3SB54 00-8FD	0.25	
	240 V AC#	Red	3SB54 00-8SC	0.25	
		Green	3SB54 00-8SE	0.25	
		Blue	3SB54 00-8SF	0.25	
		Yellow	3SB54 00-8SD	0.25	
<b>Illumination module with BA9s filament lamp</b>					
	Lamp holder with BA9s filament lamp	24 V AC/DC (24 V lamp)	3SB54 00-6CC	0.0135	
		110 V AC/DC (130 V lamp)	3SB54 00-6FH	0.0135	
		230 V AC (130 V lamp)	3SB54 00-6LH	0.0135	

\* Can be used with clear lens

@ Use of rectified DC source (filtered O/P) recommended

# With voltage reducer






Note: All illumination modules can be used along with illuminated push buttons, illuminated selector actuators and modular indicating lamps.



# 3SB5 Pushbutton Units and Indicating Lamps, 22 mm



## Accessories and Spare Parts

### Accessories and spare parts

#### Selection and ordering data

Version	Colour	Order No.	Weight per PU approx. kg	
<b>Pusher caps and lenses</b>				
	<b>Normal opaque</b> For opaque pushbuttons	Red	3SB59 10-0AC	0.001
		Green	3SB59 10-0AE	0.001
		Blue	3SB59 10-0AF	0.001
		White	3SB59 10-0AG	0.001
		Yellow	3SB59 10-0AD	0.001
		Black	3SB59 10-0AB	0.001
	<b>Raised opaque</b> For opaque pushbuttons	Red	3SB59 10-0BC	0.002
		Green	3SB59 10-0BE	0.002
		Blue	3SB59 10-0BF	0.002
		White	3SB59 10-0BG	0.002
		Yellow	3SB59 10-0BD	0.002
		Black	3SB59 10-0BB	0.002
	<b>Normal illuminated</b> For illuminated pushbuttons	Red	3SB59 10-0CC	0.001
		Green	3SB59 10-0CE	0.001
		Amber	3SB59 10-0CR	0.001
		Blue	3SB59 10-0CF	0.001
		White	3SB59 10-0CG	0.001
		Yellow	3SB59 10-0CD	0.001
		Clear	3SB59 10-0CH	0.001
	<b>Raised illuminated</b> For illuminated pushbuttons raised	Red	3SB59 10-0DC	0.002
		Green	3SB59 10-0DE	0.002
		Amber	3SB59 10-0DR	0.002
		Blue	3SB59 10-0DF	0.002
		White	3SB59 10-0DG	0.002
		Yellow	3SB59 10-0DD	0.002
		Clear	3SB59 10-0DH	0.002
	<b>Lenses</b> For indicator lamps	Red	3SB59 10-1PC	0.006
		Green	3SB59 10-1PE	0.006
		Amber	3SB59 10-1PR	0.006
		White	3SB59 10-1PG	0.006
		Yellow	3SB59 10-1PD	0.006
		Clear	3SB59 10-1PH	0.006

Version	Rated Voltage V	Colour	Order No.	Weight per PU approx. kg
<b>Lamps</b>				
	24V/2W 130V/2.5W 230V/2.7W		3SB59 02-6C	0.0015
			3SB59 02-6D	0.0015
			3SB59 02-6E	0.0015
	24V AC/DC	Red	3SB59 02-3FK	0.002
		Green	3SB59 02-3GK	0.002
		Blue	3SB59 02-3JK	0.002
		Yellow	3SB59 02-3HK	0.002

Version	Use	Colour	Order No.	Weight per PU approx. kg	
<b>Protective caps<sup>1)</sup>, degree of protection IP67</b>					
	Protective caps	Flat button (plastic)	Clear	3SB59 02-0AK	0.0013
	Protective caps	Raised button (plastic)	Clear	3SB59 02-0AN	0.0085

# 3SB5 Pushbutton Units and Indicating Lamps, 22 mm

## Accessories and Spare Parts

Accessories and spare parts

### Selection and ordering data

Version	Order No.	Weight per PU approx. kg
---------	-----------	--------------------------

#### Holders for commanding and signalling elements



Holders  
For plastic version, round

3SB59 12-0BA

0.013



Holders  
Metallic for front connection

3SB59 11-1AA

0.009

#### Inscription labels



E-stop yellow dia. 75 mm with  
"EMERGENCY STOP" printing  
(yellow contrast label)

3SB59 21-0AD



E-stop yellow dia. 75 mm for mushroom blank  
(yellow contrast label)

3SB59 21-0AB

#### Inscription plates



Inscription plates

Start

3SB59 01-2EL

0.001

Stop

3SB59 01-2EK

0.001

ON

3SB59 01-2EB

0.001

OFF

3SB59 01-2EC

0.001

Up

3SB59 01-2ED

0.001

Down

3SB59 01-2EE

0.001

Forward

3SB59 01-2EF

0.001

Slow

3SB59 01-2ES

0.001

Fast

3SB59 01-2ER

0.001

Reverse

3SB59 01-2EG

0.001

Black

3SB59 01-2AA

0.001

Trip

3SB59 01-2EA

0.001

#### Twin push button spares and accessories



Lens







3SB59 12-0BB

0.001

# 3SB5 Pushbutton Units and Indicating Lamps, 22 mm

## Accessories and Spare Parts

### Accessories and spare parts

Version	Order No.	Weight per PU approx. kg
<b>Other accessories</b>		
	Adapter plate for replacing 30 mm by 22 mm	3SB59 21-0AE 0.007
	<b>Lamp extractors</b> For lamps with BA 9s lamps and LEDs	3SB59 02-2AD 0.0085
	Plastic front ring	3SB59 11-1BA 0.0016
	Thrust cap for pushbuttons for actuating middle module	3SB59 02-0AA 0.0005
	Thrust pad for selector actuators for actuating middle module	3SB59 12-0AN 0.0001
	Blanking plug for empty enclosures	3SB59 12-0BC 0.0150



# 3SB5 Pushbutton Units and Indicating Lamps, 22 mm Enclosures

General data

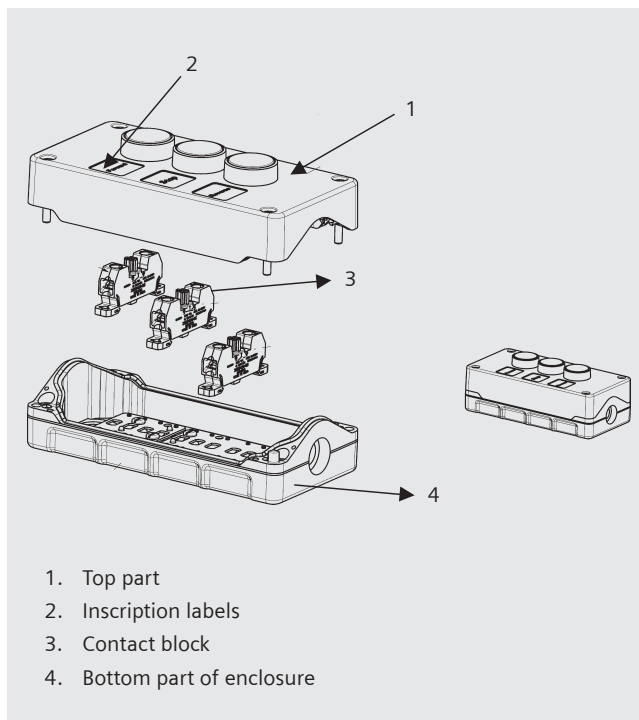
## Overview



Enclosed pushbutton units and indicating lamps are used as hand operated control devices for separately allocated control units and cabinets. The devices are suitable for use in any climate.

Enclosures with handle are available for suspension (e.g. for crane control units).

## Enclosures with standard fittings



## Standards

IEC 60947-5-1, IS 13947-5-1

## Overview

Enclosures with standard fittings are available with:

- 1 to 3 command positions in metal / plastic enclosures
- 1 way is available in 2 colours, grey & yellow
- Operational voltage up to 440 V
- Vertical mounting type
- Empty plastic enclosures are available in 6 and 4 way
- Contact blocks for base mounting (are snapped into the enclosure base). Screw terminals as standard.

Colour of enclosure cover:

- Gray, RAL 7035, or
- Yellow, RAL 1004 (1 way only)

Colour of enclosure base:

- Black, RAL 9005

# 3SB5 Pushbutton Units and Indicating Lamps, 22 mm Enclosures

## Customer-specific enclosures

### Overview

- Operational voltage up to 400 V
- One command position comprises:
  - 1 actuator or indicator
  - Up to 3 contact blocks or up to 2 contact blocks + 1 lampholder
  - 1 inscription label

For plastic and metal enclosures the command positions are equipped as standard with actuators.

For routing the cable in, one hole for M20 (for 1 to 3 command positions) or for M25 (for 4 or 6 command positions) is provided at the top and bottom.

### Selection and ordering data

Version	Number of command positions	Order No.	Weight per PU approx. kg	
<b>Metal enclosures</b>				
	Normal opaque push button - Green with 1NO contact block, "START"	1	3SB58 01-8AA3	0.423
	Red mushroom momentary actuator, with 1NC contact block, "STOP"	1	3SB58 01-8AN3	0.430
	Red maintained mushroom actuator, turn to release, with 1NC contact block, "E-STOP"	1	3SB58 01-8AM3	0.440
	Normal opaque push button - Green with 1NO contact block, "START" + Normal opaque push button - Red with 1NC contact block, "STOP"	2	3SB58 02-8AC3	0.520
	Normal opaque push button - Green with 1NO contact block, "START" + Red mushroom-maintained with 1NC contact block, "STOP"	2	3SB58 02-0AE3	
Normal opaque push button - Green with 1NO contact block, "FORWARD" + Normal opaque push button - Red with 1NC contact block, "STOP" + Normal opaque push button - Black with 1NO contact block, "REVERSE"	3	3SB58 03-8AH3	0.441	
<b>Plastic enclosures</b>				
	Normal opaque push button - Green with 1NO contact block, "START"	1	3SB58 01-7AA3	0.196
	Red mushroom momentary actuator, with 1NC contact block, "STOP"	1	3SB58 01-7AN3	0.203
	Red maintained mushroom actuator, turn to release, with 1NC contact block, "E-STOP"	1	3SB58 01-7AM3	0.213
	Normal opaque push button - Green with 1NO contact block, "START" + Normal opaque push button - Red with 1NC contact block, "STOP"	2	3SB58 02-7AC3	0.285
	Normal opaque push button - Green with 1NO contact block, "START" + Red mushroom-maintained with 1NC contact block, "STOP"	2	3SB58 02-7AE3	0.302
	Normal opaque push button - Green with 1NO contact block, "FORWARD" + Normal opaque push button - Red with 1NC contact block, "STOP" + Normal opaque push button - Black with 1NO contact block, "REVERSE"	3	3SB58 04-7AG3	0.300

# 3SB5 Pushbutton Units and Indicating Lamps, 22 mm Enclosures

## Customer-specific enclosures

Version	Number of command positions	Order No.	Weight per PU approx. kg
---------	-----------------------------	-----------	--------------------------

### Pendant mounting: Metal



Normal opaque push button - Green with 1NO contact block, "START"  
+ Normal opaque push button - Red with 1NC contact block, "STOP"

2

3SB58 22-8AC3

0.810

Normal opaque push button - Green with 1NO contact block, "FORWARD"  
+ Normal opaque push button - Red with 1NC contact block, "STOP"  
+ Normal opaque push button - Black with 1NO contact block, "REVERSE"

3

3SB58 23-8AH3

0.820

### Pendant Mounting: Plastic



Normal opaque push button - Green with 1NO contact block, "START"

1

3SB5821-7AA3

0.19678

Normal opaque push button - Green with 1NO contact block, "START"  
+ Normal opaque push button - Red with 1NC contact block, "STOP"

2

3SB5822-7AC3

0.28938

Normal opaque push button - Green with 1NO contact block, "FORWARD"  
+ Normal opaque push button - Red with 1NC contact block, "STOP"  
+ Normal opaque push button - Black with 1NO contact block, "REVERSE"



3

3SB5823-7AH3

0.61525

# 3SB5 Pushbutton Units and Indicating Lamps, 22 mm Enclosures

## Empty enclosures

Version	Number of command positions	Colour	Order No.	Weight per PU approx. kg
<b>Empty enclosures, plastic</b>				
	<i>1 to 3 command positions, 4 and 6 command positions</i>			
	1	Grey	3SB58 01-0AC3	0.187
	2	Grey	3SB58 02-0AC3	0.267
	3	Grey	3SB58 03-0AC3	0.273
	4	Grey	3SB58 04-0AC3	0.310
	6	Grey	3SB58 06-0AC3	0.400
	1	Yellow	3SB58 01-0AD3	0.187
<b>Empty enclosures, metal</b>				
	<i>1 to 3 command positions</i>			
	1		3SB58 01-4AC3	0.414
	2		3SB58 02-4AC3	0.502
	3		3SB58 03-4AC3	0.623

# 3SB5 Pushbutton Units and Indicating Lamps, 22 mm Enclosures

## Lampholders and contact blocks

### Selection and ordering data

Version	Rated Voltage V	Screw terminals	Weight per PU approx.
		Order No.	kg

#### BA9s lampholder



BA 9s lampholders  
With lamp

110 V AC/DC  
230 V AC

3SB54 20-2PF0  
3SB54 20-2PL0

0.013  
0.013

#### Contact blocks with one contact



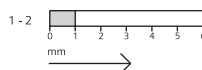
Contact blocks with one contact  
1 NO



3SB54 20-0B

0.0105

1 NC



3SB54 20-0C

0.0105

Version	Order No.	Weight per PU approx.
		kg

#### Accessories



Set of 11 labels  
Start, Stop, ON, OFF, Up, Down, Open, Close  
Forward, Reverse, Emergency Off

3SB59 01-3EA

0.001



Inscription label  
With set of 10  
(Right, Left, Test, Reset, Auto Man,  
Inch, Trip, Slow, Fast)

3SB59 01-3CH



Tool for fitting actuator on metal enclosure

3SB59 02-2BX

0.150

Blank Page

# Commanding and Signalling Devices



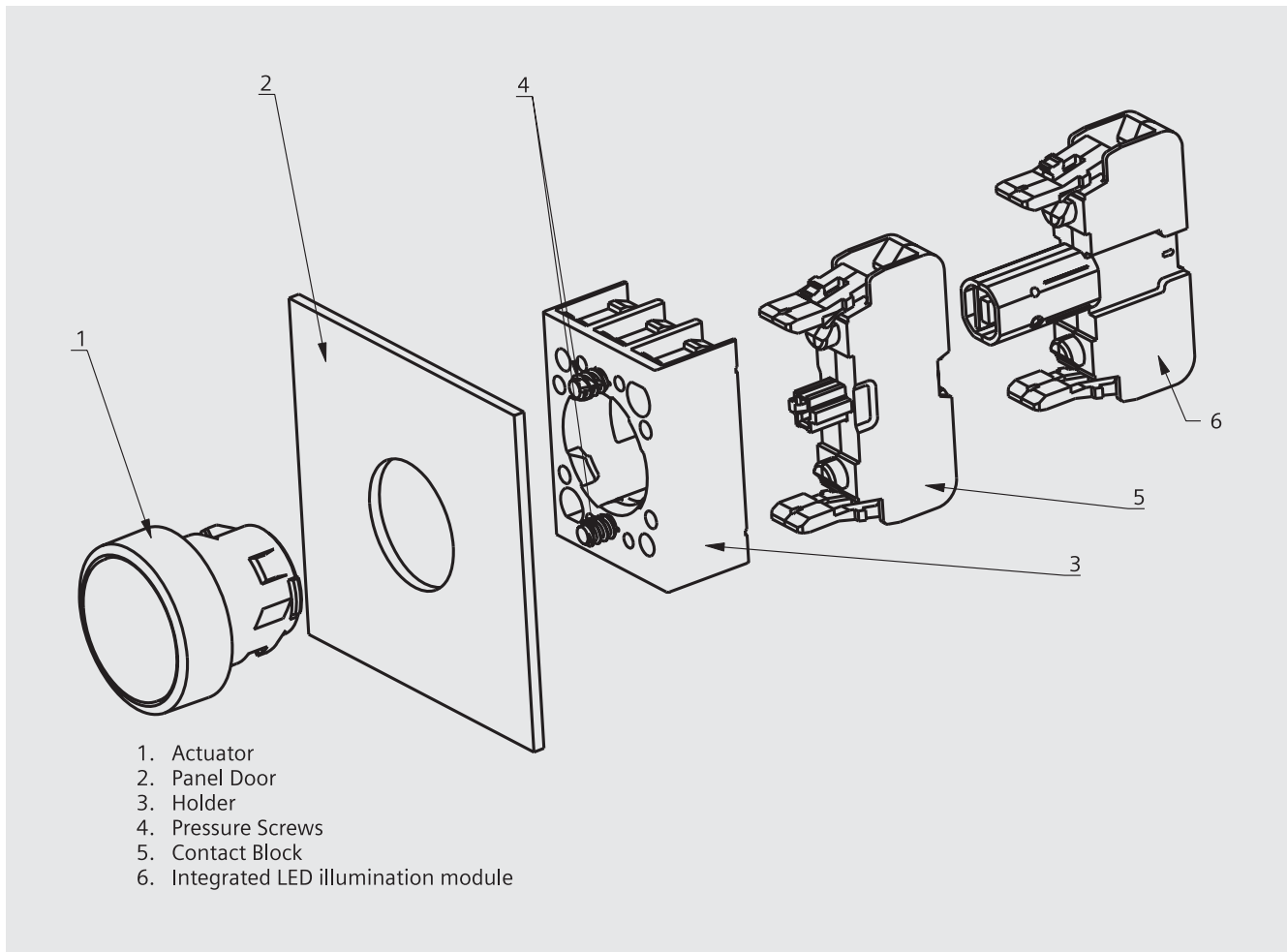
22	<b>Introduction</b>
<b>3SB5 Pushbutton Units and Indicating Lamps, 22 mm</b>	
23	General data
24	Technical data
<b>3SB5 Pushbutton Units and Indicating Lamps, 22 mm Enclosures</b>	
25	General data
27	Project planning aids

# 3SB5 Pushbutton Units and Indicating Lamps, 22 mm

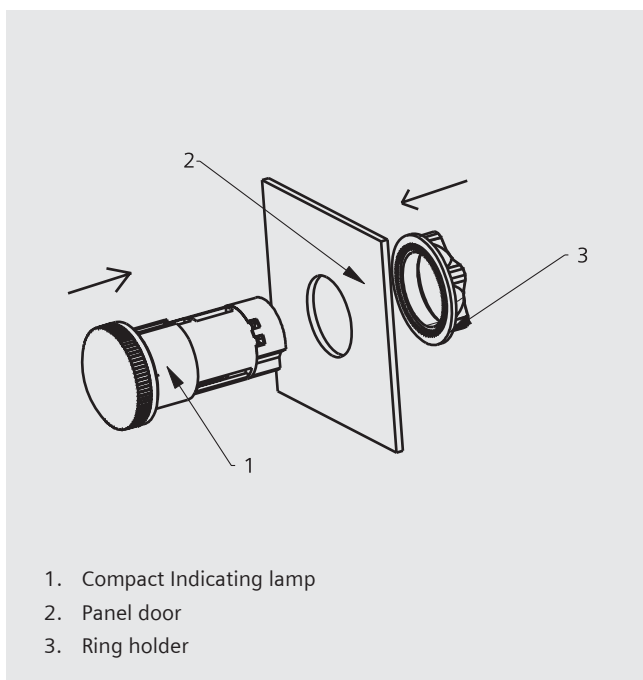
Technical data  
General data

## Overview

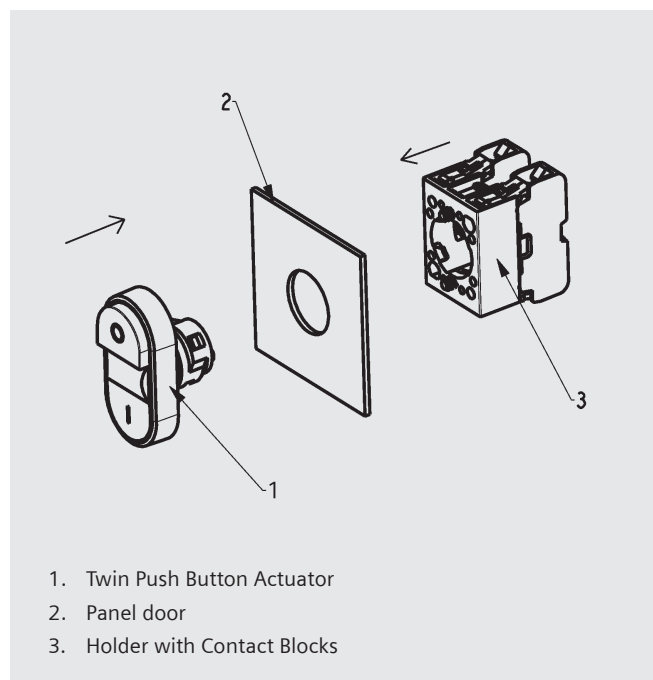
### Front plate mounting



### 3SB5 compact pilot light



### 3SB5 twin push button





## Design

### Holders

The holders are used for mounting the actuating or signalling elements and are plugged into the rear of the panel door.

The holder for the round versions is set to a switchboard thickness of 1 to 6 mm.

When label holders, protective caps or similar accessories are used, the greatest permissible panel thickness must be reduced by the wall thickness of the accessory part.

### Contact blocks and lampholders

The contact blocks are fitted with (1 NO contact or 1 NC contact) with double operating contacts. These ensure a high switching reliability even with small voltages and currents, such as 5 V/1 mA.

The switch contacts of the NC contact are positively driven.

For illuminated elements, lampholders with an integrated LED or with a base for replaceable bulbs can be supplied.

For indicating lamps holder, ring holder helps in faster assembly thus reducing installation time.

Wider voltage range 3SB5 wide band indicating lamps are supplied with integrated LEDs. This would help in reducing the inventory cost.

### Mounting

The 3SB5 devices can be easily and quickly mounted:

- Actuators or indicator lights are positioned in the opening of the front panel from the front
- Position the holder from the rear
- Tighten the screw on the holder
- Snap on the contact block or the lampholder directly onto the actuator from the back

### Connection methods

The following devices are available:

- Screw terminal (SIGUT termination)

The devices with screw terminals have open terminals, screws that cannot be lost, funnel-shaped cable entries and screwdriver fed openings, all of which saves time when connecting and enables the use of motorized screwdrivers.

### Enclosures

Plastic enclosures are available with 1, 2, 3, 4 or 6 command positions. Metal enclosures are available in 1, 2 or 3 command positions.

# 3SB5 Pushbutton Units and Indicating Lamps, 22 mm

## Technical data General data

### Pushbuttons and indicating lamps

Rated insulation voltage $U_i$	All executions except lamp holder	AC 690V, 50Hz
	BA9s lamp holder	AC 250V, 50Hz; DC 250V
	Illumination module with integrated LED / Compact Pilot Light	AC 440V, 50Hz; DC 250V
Rated operational voltage $U_e$	For contact blocks	660V, 50Hz
	For illumination modules with integrated LED	24V AC/DC, 110V AC, 110V DC, 230V AC, 220V DC
	For illumination modules with BA9s LED lamp	24V AC/DC, 110V AC/DC, 240V AC
	For illumination modules with BA9s filament lamp	24V AC/DC, 110V AC/DC, 230V AC/DC
	For Compact LED indicating lamps	24V AC/DC, 110V AC, 110V DC, 220/240V AC, 220V DC
	For compact BA9s filament indicating lamp	24V AC/DC, 110V AC/DC, 230V AC/DC
	Wide band LED indicating lamp	42V to 240V AC & 42V to 220V DC
Back-up HRC fuse rating	16A quick acting cartridge	
	10A delayed acting cartridge	
Mechanical life	All actuators (except the following)	10 x 10 <sup>6</sup> cycles
	Luminous actuators	3 x 10 <sup>6</sup> cycles
	Selector, key and latched mushroom actuator	3 x 10 <sup>5</sup> cycles
Electrical life	Depends on load current e.g. 10 x 10 <sup>6</sup> cycles with 3TH30, 3TF30/31 contactors	
Voltage limits	+10% -15% nominal supply voltage	
Switching frequency	1200 cycles per hour	
Degree of protection	Pushbuttons & Indicating Lamps	Standard execution - IP65 With protective cover - IP67
	Terminals of contact blocks and illumination modules Key execution IP 54	Standard execution - IP20
Permissible service temperature range	-25°C to +60°C	
Terminal capacity	Finely stranded cable with end sleeves (end sealing ferrule)	2 x 0.5 to 1.5 mm <sup>2</sup>
	Solid conductor	2 x 1 to 2.5 mm <sup>2</sup>
	Solid conductor with end sleeves (end sealing ferrule)	2 x 0.5 to 0.75 mm <sup>2</sup>
	Finely stranded cable with end sleeves (end sealing ferrule)	2 x 1 to 1.5 mm <sup>2</sup> (for compact variants)

#### Continuous current, rated operational current $I_e$ , contact blocks

$I_e$ /AC-12	$I_e$ /AC-15	$U_e$ Volts (40-60 Hz)	$I_e$ /DC-12	$I_e$ /DC-13	$U_e$ Volts-DC
10 A	6 A	24V	10 A	6 A	24V
	6 A	110V	8 A	4 A	48V
	6 A	220/230V	3.5 A	1.2 A	110V
	4 A	380/400V	1 A	0.4 A	220V

#### Contact block / Illumination module configuration

Actuator - Illuminated Push button and selector	Voltage	Max. possible lamp holders (lamp holder always in middle position)	Max. possible contact blocks (1st block-left, 2nd-right, 3rd-middle)		Accessory to operate middle contact block (Order separately & snap-fit on actuator)
			Rear connection	Front connection	
With BA9s LED	24V AC/DC	1	2	2	Not applicable
	110V AC/DC,	1	1	1	
	240V AC	1	1	1	
With BA9s Filament lamp	24V AC/DC	1	2	2	Not applicable
	110V AC/DC,				
	230V AC				
Integrated LED	24V AC/DC, 110V AC	1	2	-	Not applicable
	230V AC, 100V DC, 220V DC				
Actuator / Opaque					
Push button	-	-	3	3	Thrust cap
Selector	-	-	3	3	Thrust pad
Key	-	-	3	3	Thrust pad
Mushroom - momentary	-	-	3	3	Thrust cap

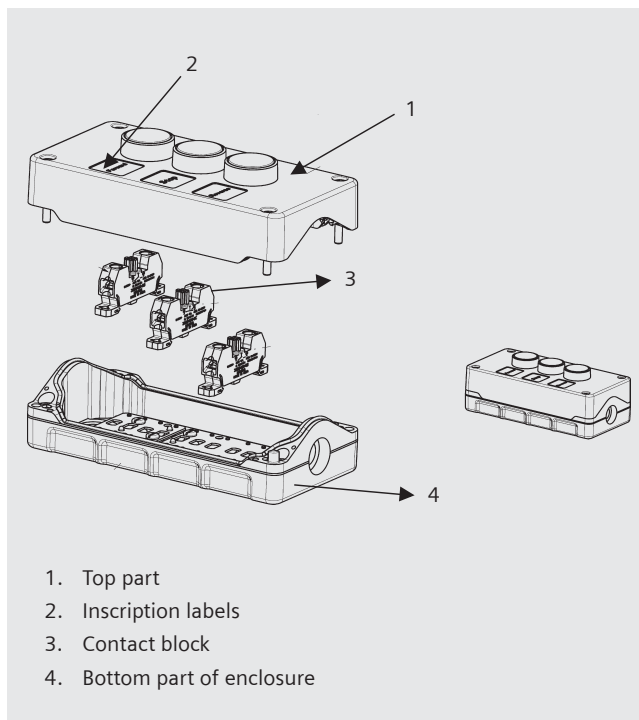
# 3SB5 Pushbutton Units and Indicating Lamps, 22 mm Enclosures

Technical data  
General data

## Overview



## Enclosures with standard fittings



Enclosed pushbutton units and indicator lights are used as hand operated control devices for separately allocated control units and cabinets. The devices are suitable for use in any climate.

Enclosures with handle are available for suspension (e.g. for crane control units).

The following versions are available:

- Enclosure with standard fittings with 1 to 3 command positions
- Empty enclosures (individual parts must be ordered separately).

## Standards

IEC 60947-5-1, IS 13947-5-1

# 3SB5 Pushbutton Units and Indicating Lamps, 22 mm Enclosures

## Technical data General data

### Design

#### *Enclosures*

Plastic enclosures with 1, 2, 3, 4 or 6 command positions are available. Metal enclosures with 1, 2 or 3 command positions are available.

Cable routing: on the top and bottom narrow ends of the enclosure for an M20 or M25 metric cable gland.

Enclosure colour:

- Cover: RAL 7035 (light gray),
- For EMERGENCY-STOP: RAL 1004 (yellow),
- Base: RAL 9005 (black).

The plastic enclosures comply with the "total insulation" protective measure.

#### *Actuators*

Round actuators and lens assemblies for a nominal diameter of 22 mm can be used.

The actuators are fitted through the hole in the cover of the enclosure and are connected to the holder supplied with the actuator and secured in position.

Plastic and metal enclosures are equipped as standard with actuators and indicators made of plastic.

#### *Contact blocks and lampholders*

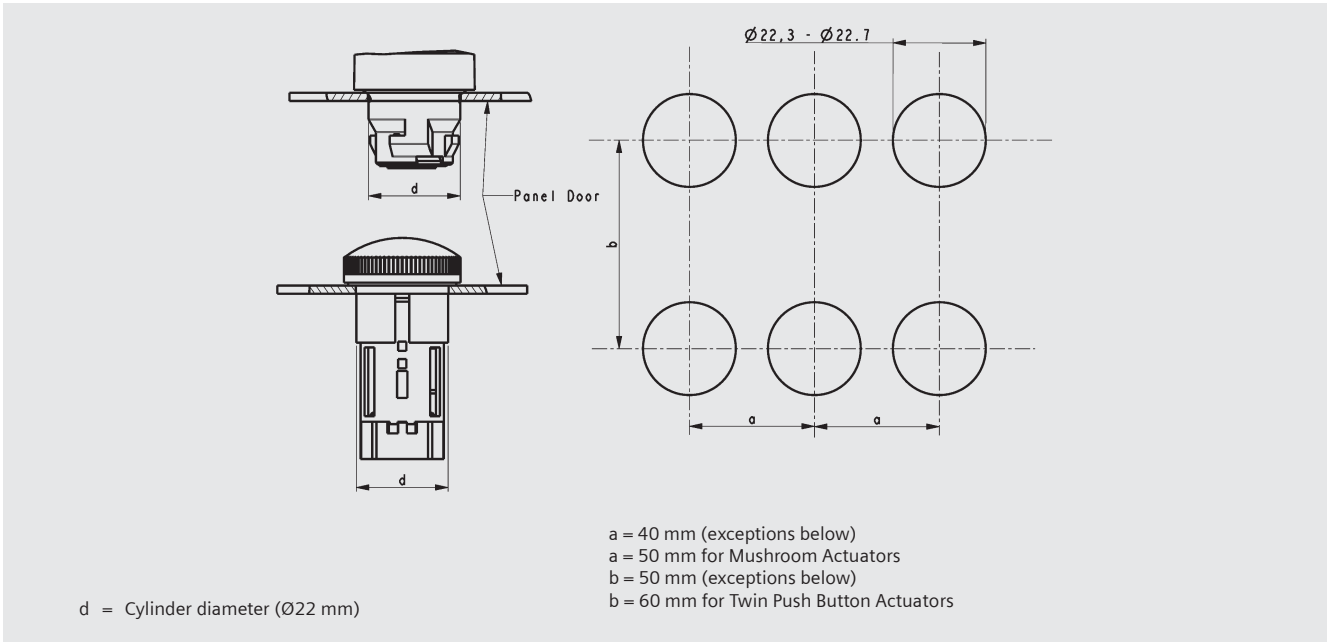
Contact blocks and lampholders for base mounting are snapped into the bottom part of the enclosure. For each command positions, the following components can be fitted:

- 3 contact blocks or
- 2 contact blocks + 1 lampholder

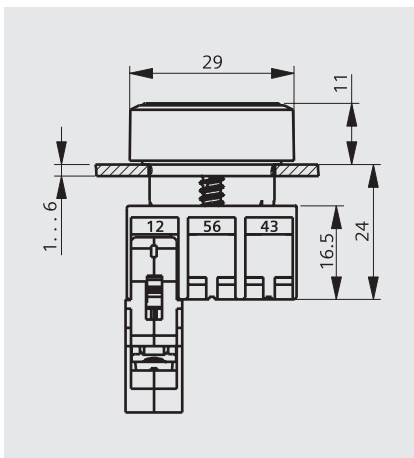
The contact blocks have moving double-break contacts and therefore a high contact.

## Dimensional drawings

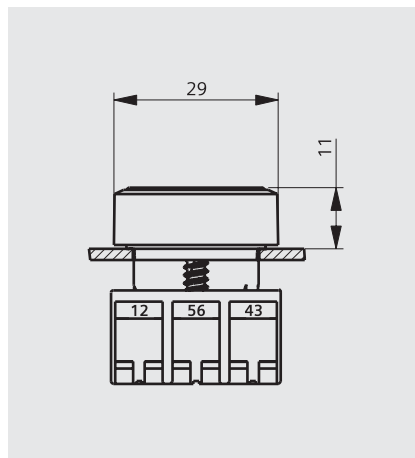
### Mounting details for cylinder Ø22 mm



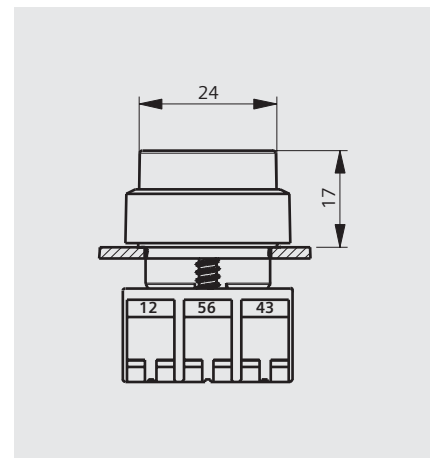
Normal Push Button Actuator with Holder and 1NC Contact Block



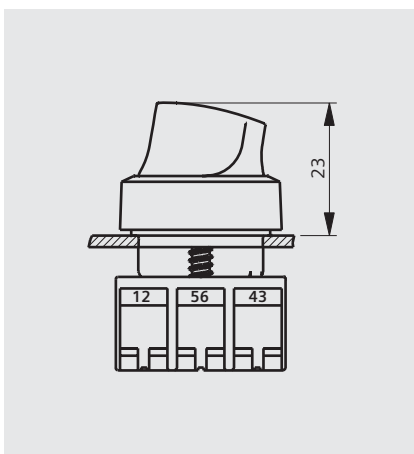
Normal Push Button Actuator with Holder



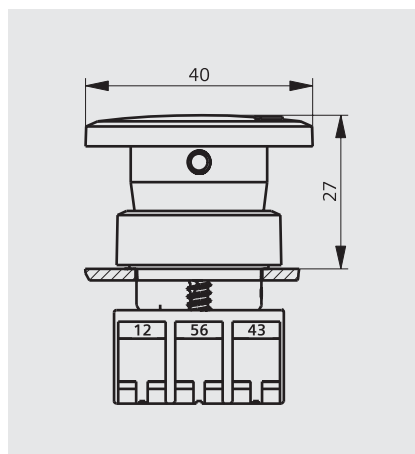
Raised Push Button Actuator with Holder



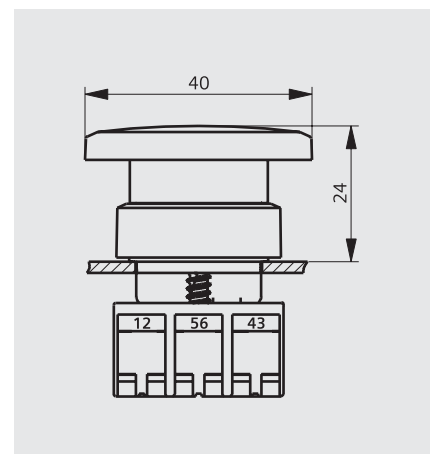
Selector Actuator with Holder



Mushroom Twist to release Actuator with Holder



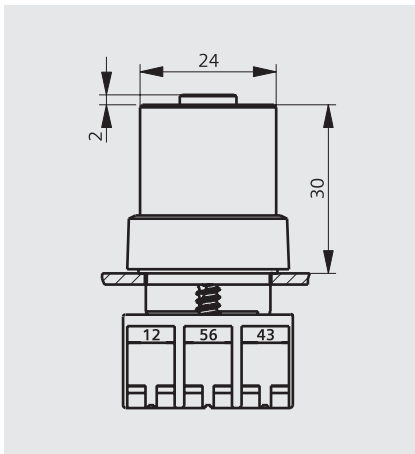
Mushroom Momentary Actuator with Holder



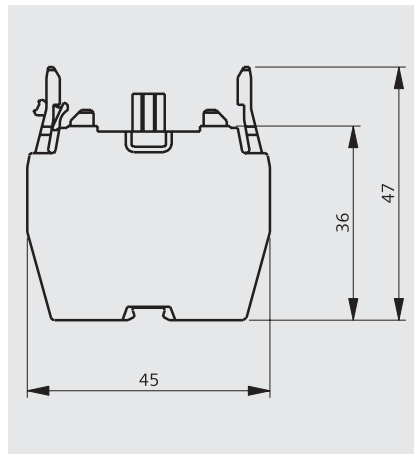
# 3SB5 Pushbutton Units and Indicating Lamps, 22 mm

## Technical data Project planning aids

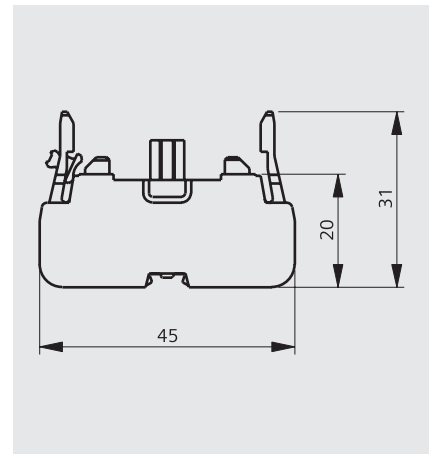
Key Actuator with Holder



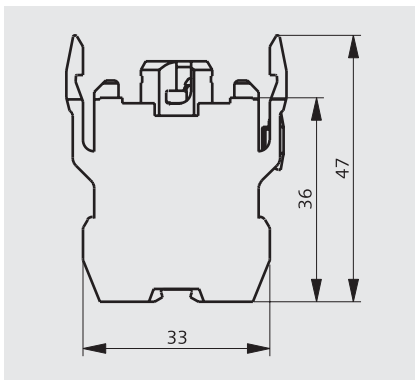
2NO/2NC/1NO+1NC Contact Block  
(Front Mounting)



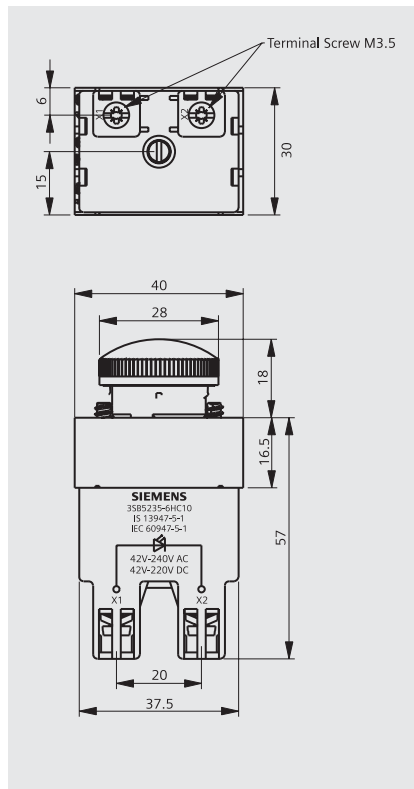
1NO/1NC Contact Block  
(Front Mounting)



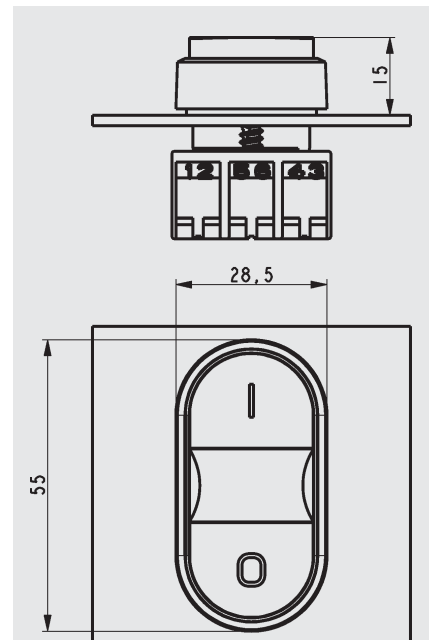
BA9s Lamp Holder



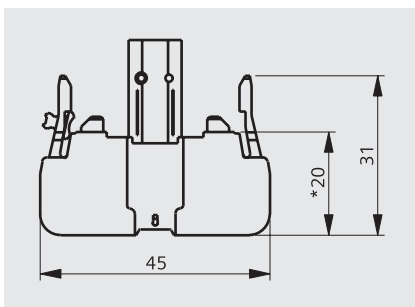
Wide Band LED with Holder and Lens Assembly



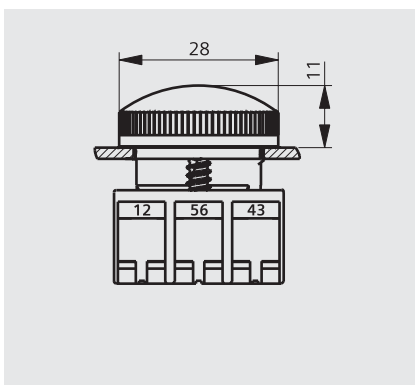
Twin Push Button Actuator with Holder



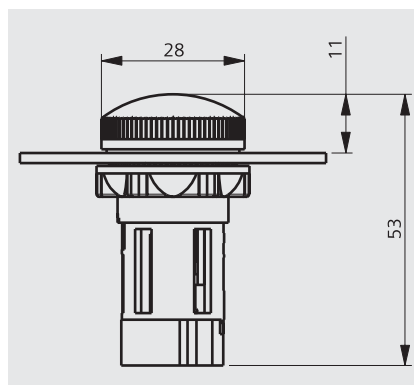
Integrated LED



Lens assembly with Holder



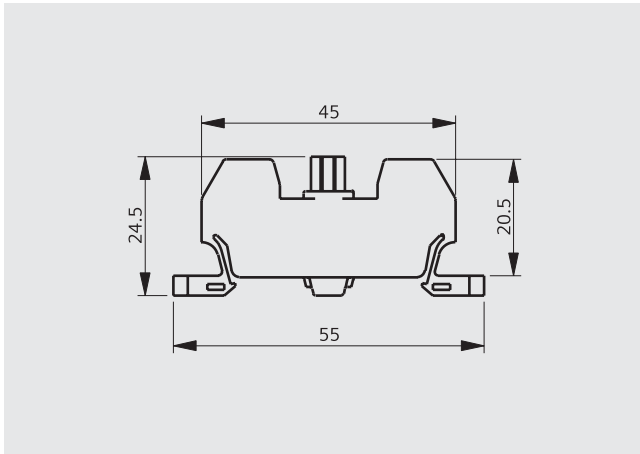
Compact LED/BA9s Pilot Light



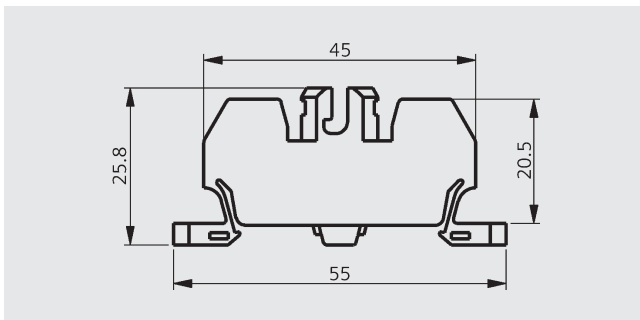
# 3SB5 Pushbutton Units and Indicating Lamps, 22 mm

Technical data  
Project planning aids

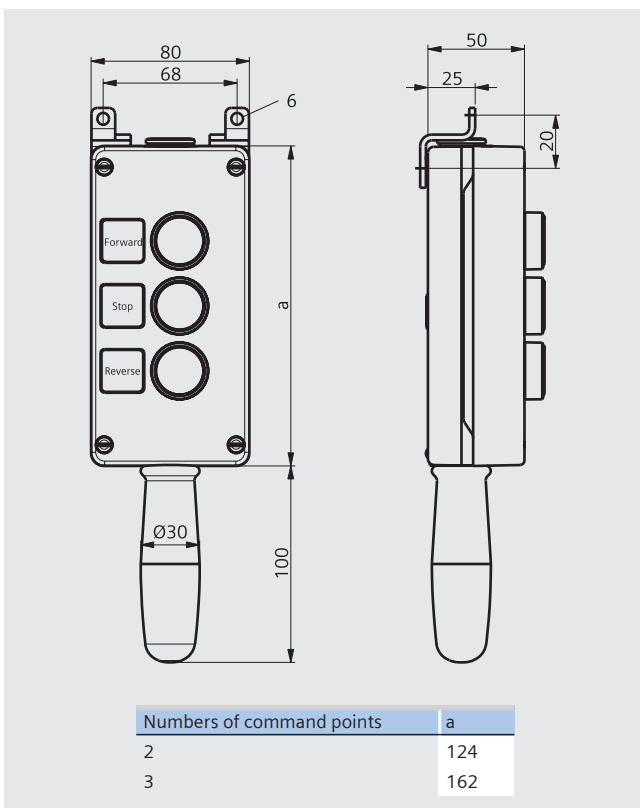
1NC/1NO Contact Block (Base Mounting)



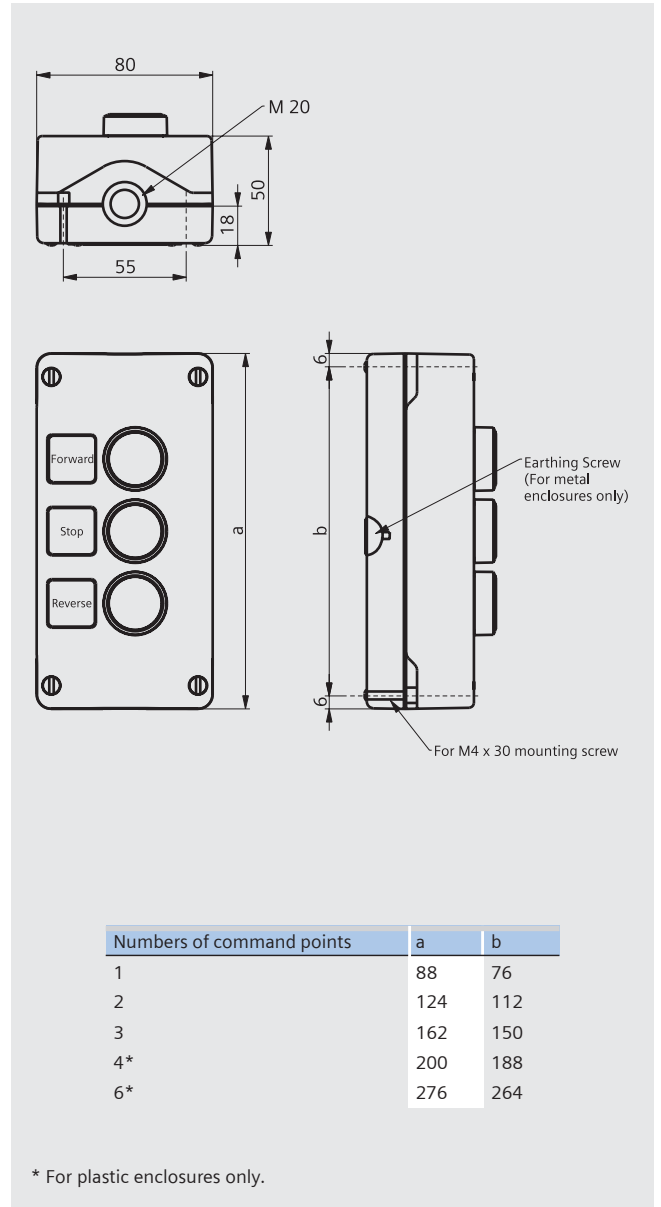
Lamp holder front connection



Pendant Push Button Enclosures (Metal and plastic)



Push Button Enclosures (Plastic & Metal)



# Your partners

## Sales offices:

### Ahmedabad

3rd Floor, Prerna Arbur  
Girish Cold Drinks Cross Roads, Off G.C.Road  
Ahmedabad - 380 009  
☎ : +91 79 30927600  
Fax: +91 79 30927699

### Baroda

3rd Floor, OHM Business Park  
Opp: Balaji Hospital, Ellora Park, Shubhanpura  
Baroda - 390 023, Gujarat  
☎ : +91 265 3039100  
Fax: +91 265 3039190

### Bengaluru

1st Floor, Jyoti Mahal, No. 49, St. Marks Road  
Bengaluru - 560 001  
☎ : +91 80 33422000  
Fax: +91 80 33424131

### Bhubaneswar

Creative Plaza, 3rd Floor, Mouza Bomikhal  
(Rasulgurh Square), PS Mancheswar  
Bhubaneswar - 751 010, Odisha  
☎ : +91 674 2581220  
Fax: +91 674 2581330

## Territory managers:

### Aurangabad

Flat No. G1, Chanakyapuri, Phase 2  
Darga Sutgirni Road, Shanoorwadi  
Aurangabad - 431001, Maharashtra  
Mobile: +91 9049005024  
E-mail: amey.pataskar@siemens.com

### Belgaum

H.No.713, Narvekar Lane, Shahpur  
Belgaum - 590003, Karnataka  
☎ : +91 831 2495156  
Mobile: +91 9740277991\*  
E-mail: anand.gawade@siemens.com

### Belgaum

Flat No: F-1, Shivashakti Apartment  
4th Cross, Adarsh Nagar, Belgaum - 590011  
Mobile: +91 9686822775  
E-mail: jacob.babu@siemens.com

### Bhilai

H.No LIG-47, HUDCO Sector, Bhilai  
Durg, Chattisgarh - 490 009  
Mobile: +91 7869922211  
E-mail: pravin.deshbhatar@siemens.com

### Bhopal

Flat No-104, Sagar Home Phase-2  
Sarvadharm Society, Sector A, Nayapura Road  
Bhopal - 462042, Madhya Pradesh  
Mobile: +91 9977228084  
E-mail: prajwal.khapekar@siemens.com

### Boisar

Mahavir Virat, C-wing, Flat No.102, First Floor  
Mahavir Nagar, Opp to TAPS Colony  
Boisar (W) - 401501  
Mobile: +91 9820533850  
E-mail: s.anand@siemens.com

### Calicut

Flat No.2 Senior Citizens Happy Home  
1/932, 5-R, Appartments West Hill  
Kozhikode - 673005  
Mobile: +91 9645963636  
E-mail: ragesh.ri@siemens.com

### Cochin

K.G. Oxford Business Centre  
3A, Shreekanadath Rd, Ravipuram  
Cochin - 682016  
☎ : +91 4028611/22  
Mobile: +91 9387384848  
E-mail: sudheer.ts@siemens.com  
Mobile: +91 9744511109  
E-mail: anish.g@siemens.com

### Dehradun

32, Dhronpuri, Main lane, G.M.S.Road  
Deharadun - 248001, Uttarakhand  
☎ : +91 135 2528212  
Mobile: +91 8650404404  
E-mail: shashibhushan.prasad@siemens.com

### Durg

Pancham Nivas, B-1, Zone-2, New Adarsh Nagar  
Durg - 491001, Chhattisgarh  
Mobile: +91 9425016197  
E-mail: jitendra.potdar@siemens.com

### Durgapur

14, Dinabandhu Mitra Path  
Near Kavi Guru Middle Stop  
SAIL Co-Operative Area, City Centre  
Durgapur - 713216  
Mobile: +91 9874343052  
E-mail: rana.mitra@siemens.com

### Goa

435 / 10, F2 Bhanumati Bungalow,  
Opp. Sapna Habitat, Chogom Road  
Porvorim, Bardez, Goa - 403521  
Mobile: +91 9860053365  
E-mail: mitul.kapadia@siemens.com

### Chandigarh

SCO 188/191, 3rd Floor, Sector-17 C  
Chandigarh - 160 017  
☎ : +91 172 4690300  
Fax: +91 172 4690399

### Chennai

Sathak Centre, No.4., Mahatma Gandhi Road  
Chennai - 600034  
☎ : +91 44 30474000  
Fax: +91 44 30474088

### Coimbatore

7th Floor, Global Towers  
1057, Avinash Road  
Coimbatore - 641 018  
☎ : +91 422 3076300  
Fax: +91 422 3076310

### Gurgaon

Plot No -78, Tower -B  
Jagatjit Industries Building (JIL)  
Opposite SBI Academy, Sector-18  
Gurgaon - 122015  
☎ : +91 124 2842000, 3810200

### Guwahati

House No. 20, Ushanagar, Dispur Supermarket  
Guwahati, Assam - 781006  
☎ : +91 361-2230836  
Fax: +91 361-2230836  
Mobile: +91 9864110684  
E-mail: bipalab.datta@siemens.com

### Haridwar

6, Nand Puri, Near Arya Nagar Chowk  
Jwalapur, Haridwar - 249407, Uttarakhand  
☎ : +91 1334 251943  
Mobile: +91 9897070133  
E-mail: ankur.singh@siemens.com

### Haridwar

47, Abhisek Nagar, Kankhal  
Haridwar - 249408, Uttarakhand  
Mobile: +91 9621083333  
E-mail: kumar.pradeep@siemens.com

### Hospet

Ramanand Residency, Flat No. 204, 1st Main  
Nehru Co-Op Colony, Hospet - 583203, Karnataka  
Mobile: +91 9901400227  
E-mail: roy.sanjib@siemens.com

### Hubli

# 21, Sri Mallikarjuna Nilaya, 1st Floor  
Somanagowdara Layout, Bengeri Extension  
Hubli - 580023, Karnataka  
☎ : +91 836 2282947  
Mobile: +91 9880003724  
E-mail: kr.purusshottam@siemens.com

### Indore

Flat No.102, Panchavati Apart.  
40 Chandralok Colony, Khajrana Road  
Indore - 452001, Madhya Pradesh  
Mobile: +91 9926939993  
E-mail: prashant.joshi@siemens.com

### Indore

Flat No-206, A Block, Shubh Labh Heights  
Near Malvi Nagar Chouraha  
(Near Velocity Multiplex), MR-9, Ring Road  
Indore - 452001, Madhya Pradesh  
Mobile: +91 9713013050  
E-mail: rohit.seth@siemens.com

### Jalandhar

House No.722,1ST Floor, Urban Estate  
Phase I, Jalandar - 144022, Punjab  
Mobile: +91 9876047929  
E-mail: sunil.singla@siemens.com

### Jamshedpur

Flat No. AC 17/D, 2nd Floor, Phase - 11  
Adarshnagar, Sonari, Jamshedpur - 831011  
Mobile: +91 9771498151  
E-mail: sumit.sengupta@siemens.com

### Jamshedpur

Flat No. B2/D, 9th Phase, Adarshnagar, Sonari  
Jamshedpur - 831011, Jharkhand  
Mobile: +91 9836311093  
E-mail: sumanta.bhattacharya@siemens.com

### Jodhpur

164, Defense Colony, Kamala Nehru Nagar  
Jodhpur - 342008, Rajasthan  
☎ : +91 291 2760371  
Mobile: +91 9828327200  
E-mail: naveen.sahariya@siemens.com

### Kanpur

Flat No. 403, Gulmohar Garden Phase II  
Near Mariampur Hospital, Chain Factory  
Shastri Nagar, Kanpur - 208005  
Mobile: +91 8009900939  
E-mail: shagun.gupta@siemens.com

### Hyderabad

5-9-19, 4th & 5th Floor, Laxmi Narasinh Estate  
Opp. Secretariat Road, Saifabad  
Hyderabad - 500 004  
☎ : +91 40 30922500  
Fax: +91 40 30923145

### Jaipur

6, Park Street, Opp. Pink City Petrol Pump, M.I.Road  
Jaipur - 302 006, Rajasthan  
☎ : +91 141 5152108  
Fax: +91 141 2370482

### Kolkata

43, Shanti Palli, RashBehari Connector  
Eastern Metropolitan Bypass  
Kolkata - 700 042  
☎ : +91 33 30939000  
Fax: +91 33 30939010, 30939013

### Lucknow

28/45, Ashok Marg, Opp. Indira Bhawan  
Lucknow - 226001  
☎ : +91 522 4031022, 4031000  
Fax: +91 522 4031019

### Kolhapur

Flat No.101, Shrushti Mahabharat Apartment  
Mahavir Garden To Mahavir College Road  
Nagala Park, Kolhapur - 416003  
☎ : +91 231 2663330  
Mobile: +91 9881465421  
E-mail: sachin.chavan@siemens.com

### Ludhiana

H.No.92, Lajpat Nagar, Near Bus Stand  
Ludhiana - 141002, Punjab  
Mobile: +91 9815502480  
E-mail: rohit.jagga@siemens.com

### Ludhiana

H.No. D-29, New Kitchlu Nagar, Ludhiana  
Mobile: +91 9878098612  
E-mail: amitoj.singh@siemens.com

### Ludhiana

R-125 Sarabha Nagar Extension  
Phase-2, Pakhowal Road, Ludhiana, Punjab  
Mobile: +91 9888484066  
E-mail: padam.sharma@siemens.com

### Madurai

Anirudh Block, F-Top 3,Vasudhara Apartment  
84, TPK Main Road, Andalpuram  
Madurai - 625 003, Tamil Nadu  
Mobile: +91 9894617776  
E-mail: sivaprakasam.r@siemens.com

### Mangalore

No. 3, Shreyas Apartment Chandrika Extension  
NS Bose Road, Bejai, Mangalore - 575004  
Mobile: +91 9632835364  
E-mail: joseph.arun@siemens.com

### Meerut

H-334, Shastri Nagar, Meerut - 250001  
Mobile: +91 9837049091  
E-mail: pankaj.chopra@siemens.com

### Mysore

#43, Ground Floor, 8th Cross, 3rd Main  
1st Stage, "C" Block, J. P. Nagar, Mysore - 570008  
Mobile: +91 9900855779  
E-mail: niranjan.kv@siemens.com

### Nashik

"Aditya Avenue", Flat No.27, 4th Floor B-Wing  
Near Chandak Circle, Tidke Colony  
Nasik - 422001, Maharashtra  
Mobile: +91 9822193204  
E-mail: kiran.kanhurkar@siemens.com

### Nashik

A-12, Eshwar Park, Behind Nasik Cambridge School  
Opp.Church, Indira Nagar, Nasik - 422009  
Mobile: +91 9823477735  
E-mail: ramshankar.chaudhari@siemens.com

### Patna

Nageshwar Colony, Boring Road, Patna - 800001  
Mobile: +91 97714141108  
E-mail: vikash.prasad@siemens.com

### Pondicherry

"Raghavendra ILLAM", Gnd Floor, No 21  
3rd Cross Street, Anna Nagar, Pondicherry - 605005  
Mobile: +91 9840143536  
E-mail: lakshmanan.s@siemens.com

### Raipur

103 Risabh Regency, Near Shri Medishine Hospital  
New Rajendra Nagar Raipur (C G) - 492006  
Mobile: +91 9425601849  
E-mail: raghuraj.bisen@siemens.com

### Rajkot

"Vrjraj", Chandanpark Society  
Opp. Gyanganga Vidhyapith, Nr.Raiya Circle  
Rajkot - 360005, Gujarat  
Mobile: +91 9825021026  
E-mail: hiren.raythatha@siemens.com

### Mumbai

Business Centre-1  
Thane Belapur Road, Thane - 400 601  
☎ : +91 22 39663000  
Fax: +91 22 39663721

### Nagpur

5th Floor, Land Mark Building  
Wardha Road, Ramdas Peth  
Nagpur - 440 010  
☎ : +91 712 3093000  
Fax: +91 712 3093111

### Pune

Tower B/701-705, ICC Trade Tower  
403A, Senapati Bapat Road  
Pune - 411016  
☎ : +91 20 30466000  
Fax: +91 20 30466060

### Vishakhapatnam

2nd Floor, 30-8-47, Lakshmi Narasimha Towers  
Banu Street, Daba Gardens  
Vishakhapatnam - 530 020, Andhra Pradesh  
☎ : +91 891 3050200  
Fax: +91 891 3050222

### Renukoot

Above ICICI Prudential office, Patel Nagar, Murdhawa  
Distt. Sonabhadra, Renukoot - 231217, Uttarpradesh  
☎ : +91 5446 254693  
Mobile: +91 9838007897  
E-mail: bhav.srivastava@siemens.com

### Rourkela

Plot No. LCR 618, 1st Phase Chhend  
Rourkela - 769015  
Mobile: +91 9438529778  
E-mail: samir.chintak@siemens.com

### Rudrapur

69, M.I.G. BHEL Colony, Avas Vikas, Rudrapur  
Udhm Singh Nagar, Uttrakhand - 263153  
Mobile: +91 9720999887  
E-mail: singh.vineet@siemens.com

### Salem

3/25, Santosh Nagar, PACB Backside  
Chinnathirupathi, Salem - 8  
☎ : +91 427 2401981  
Mobile: +91 9894617772  
E-mail: rubengerald.s@siemens.com

### Surat

32, 33, Dattatrey Society, Mora Bhagal Char Rasta  
Rander Road, Surat - 395005, Gujarat  
Mobile: +91 9879510191  
E-mail: chintan.naik@siemens.com

### Surat

304, Shreeji Apt., Devikrupa Society  
Opp. Dholakia Garden, Katargam  
Surat - 395004, Gujarat  
Mobile: +91 9727713634  
E-mail: tarang.shah@siemens.com

### Surat

Flat No. 202, D-1, Suryam Residence  
Cause Way Road, Opp. Hari Darshan  
Shingnapor- Dabholi Road, Katargam  
Surat - 395004, Gujarat  
Mobile: +91 9925001779  
E-mail: chandrakant.keshrani@siemens.com

### Trichy

Door No. 106, Grd Flr. 5th Cross Street  
Vidyasalai Road, Ganapathy Nagar, Thiruvanaai Koil  
Trichy - 620005  
☎ : +91 431 4345621  
Mobile: +91 9840843121  
E-mail: k.saravanakumar@siemens.com

### Trivandrum

Udayakiran, T.C.No.28/535, Krishnakovil Road  
Kaithamukku, Trivandrum - 695024, Kerala  
Mobile: +91 9895979604  
E-mail: antony.john@siemens.com

### Udaipur

303, Oasis Park, PP Singhal Marg, Ambavgarh  
Udaipur - 313001, Rajasthan  
☎ : +91 294 2430345  
Mobile: +91 9829039120  
E-mail: ajit.parashar@siemens.com

### Vapi

Flat No.401, A Wing, Madhav Gems, Nutannagar  
Valsad Road, Vapi (East), Valsad Dist Vapi - 396191  
Mobile: +91 9687668690  
E-mail: pandey.abhishek@siemens.com

### Vapi

401 Ramganaga, Apartment 295/7  
Kanchanjagna Society, Opp Jagan Park,  
Chala - 396191, Vapi Dist-Valsad ,Gujarat, India  
Mobile: +91 9825147957  
E-mail: umakant.dhande@siemens.com

### Vijayawada

D.No.37-1-19B, Badavapat, John Street  
Vijayawada - 520010, Andhra Pradesh  
☎ : +91 866 3060833  
Mobile: +91 98664 63639  
E-mail: udaya.p@siemens.com

Siemens Limited

Industry Sector

I DT LD P LV Motors

R&D Technology Centre

6th Floor, Kalwa Works

Thane Belapur Road, Thane - 400 601

Fax: +91 22 33265504

E-mail: motors.in@siemens.com

[www.siemens.co.in](http://www.siemens.co.in)

Order No.: 105385955

I-IA-CECP-012

(This replaces I-IA-CECP-010)

Customer Care Toll free no.

1800 209 0987

Email: [adscs.india@siemens.com](mailto:adscs.india@siemens.com)

Product upgradation is a continuous process. Hence, data in this datasheet is subject to change without prior notice. For the latest information, please get in touch with our Sales Offices.